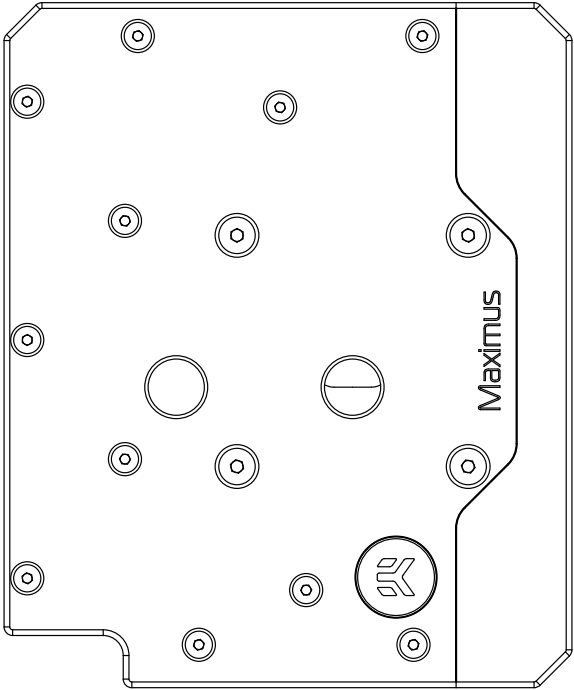


# EK-Quantum Momentum ROG Maximus XII Hero

MONOBLOCK



This product is intended for installation by expert users only. Please consult with a qualified technician since improper installation may result in damage to the equipment. EK assumes no liability whatsoever, expressed or implied, for the use of this product, nor its installation. The following instructions are subject to change without notice. Please visit our website at **[www.ekwb.com](http://www.ekwb.com)** for updates. Prior to the installation of this product, please read important notice, disclosure, and warranty stipulation printed on the back of the box.

Before you start using this product, please follow these basic guidelines:

**Carefully read the manual before beginning with the installation process!**

**Remove your motherboard from the chassis for the safest mounting process and to prevent damaging your CPU and/or motherboard's circuit board (PCB).**

**EK Fittings require only a small amount of force to screw them firmly in place since the liquid seal is ensured with the rubber O-ring gaskets.**

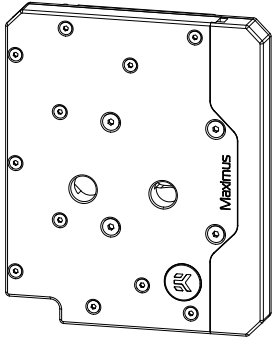
**The use of quality market-proven corrosion-inhibiting coolants is always strongly recommended for any liquid cooling system.**

**Do not use pure distilled water as a cooling liquid! For best results, EK recommends the use of EK-CryoFuel Coolants.**

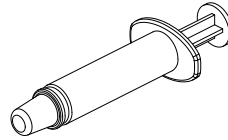
# TABLE OF CONTENTS

<b>BOX CONTENTS</b>	<b>4</b>
<b>MONOBLOCK DIMENSIONS</b>	<b>5</b>
<b>PREPARING YOUR MOTHERBOARD</b>	<b>6</b>
REMOVING THE PLASTIC I/O COVER	6
REMOVING THE STOCK COOLER	7
CUTTING AND PLACING THERMAL PADS	8
APPLYING THERMAL COMPOUND	9
<b>PLACING THE BLOCK ON THE MOTHERBOARD</b>	<b>10</b>
ATTACHING THE BLOCK TO THE MOTHERBOARD	10
CONNECTING THE D-RGB LED STRIP	12
<b>TESTING THE LOOP</b>	<b>12</b>
<b>SUPPORT AND SERVICE</b>	<b>13</b>
<b>SOCIAL MEDIA</b>	<b>13</b>

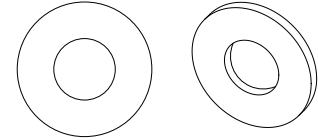
# BOX CONTENTS



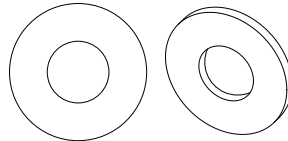
EK-Quantum Momentum ROG Maximus XII Hero



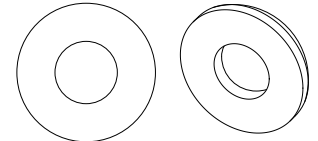
Thermal Grease (1 pc)



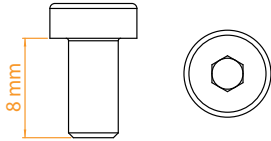
M4 PVC Washers (5 pcs)



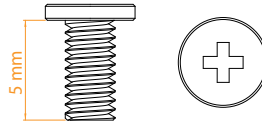
M2.5 PVC Washers (5 pcs)



Self Adhesive M2.5 PVC Washer (5 pcs)



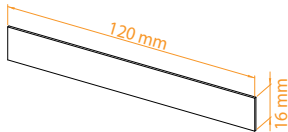
M4 x 8 Screw DIN994 (5 pcs)



M2.5 x 5 AX1 Screw (5 pcs)



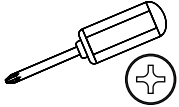
Allen Key 2.5. mm (1 pc)



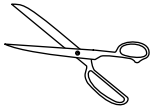
Thermal Pad F 1.0 mm (3 pcs)

## REQUIRED TOOLS

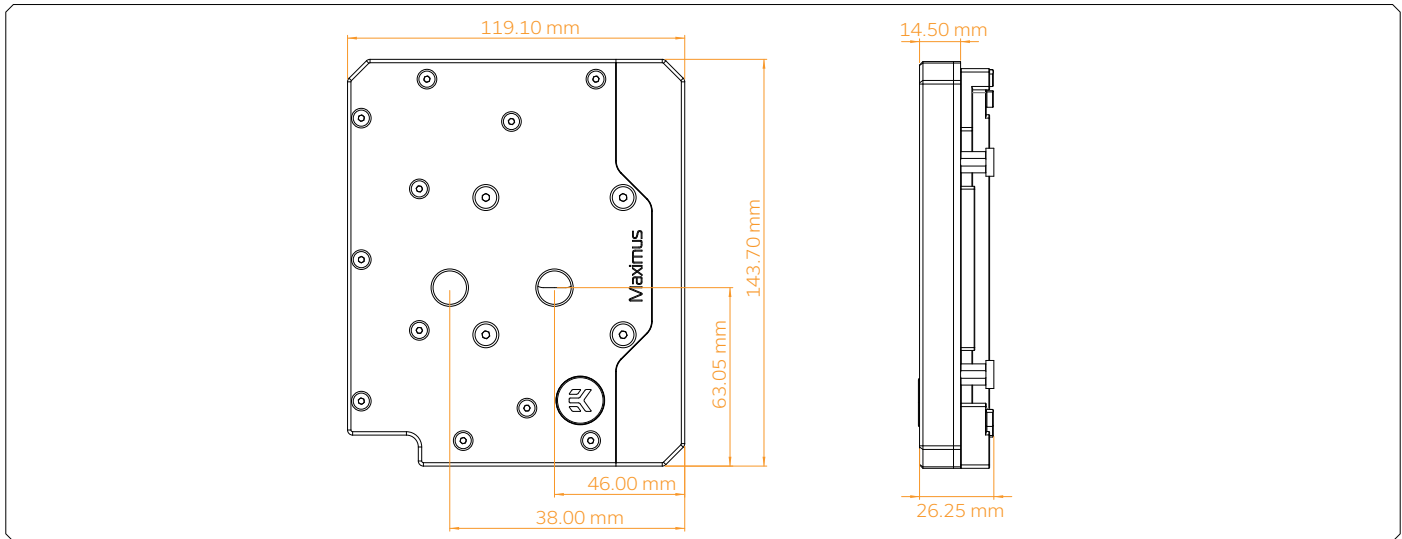
Phillips Head Screwdriver



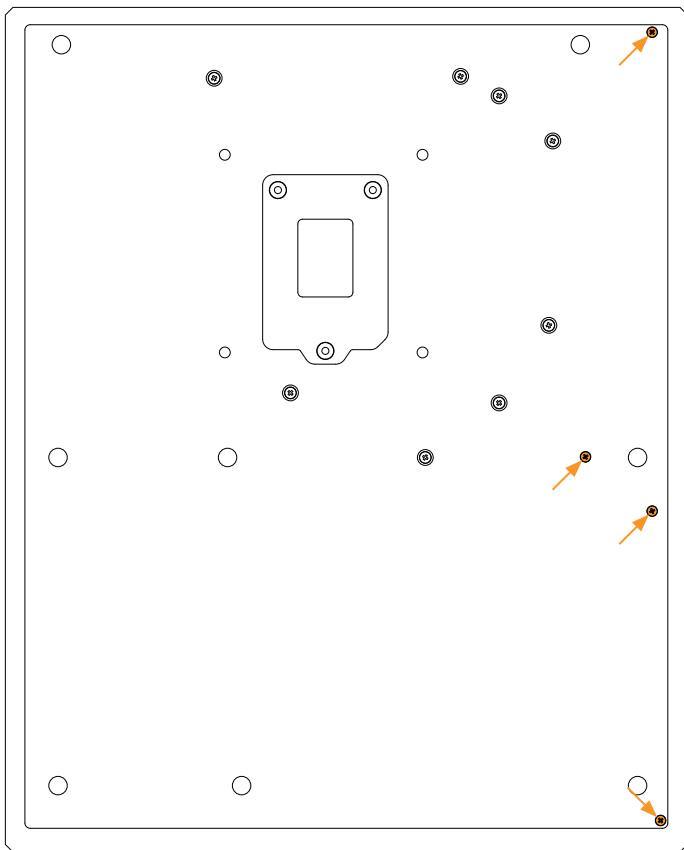
Scissors



## MONOBLOCK DIMENSIONS



## PREPARING YOUR MOTHERBOARD



### REMOVING THE PLASTIC I/O COVER

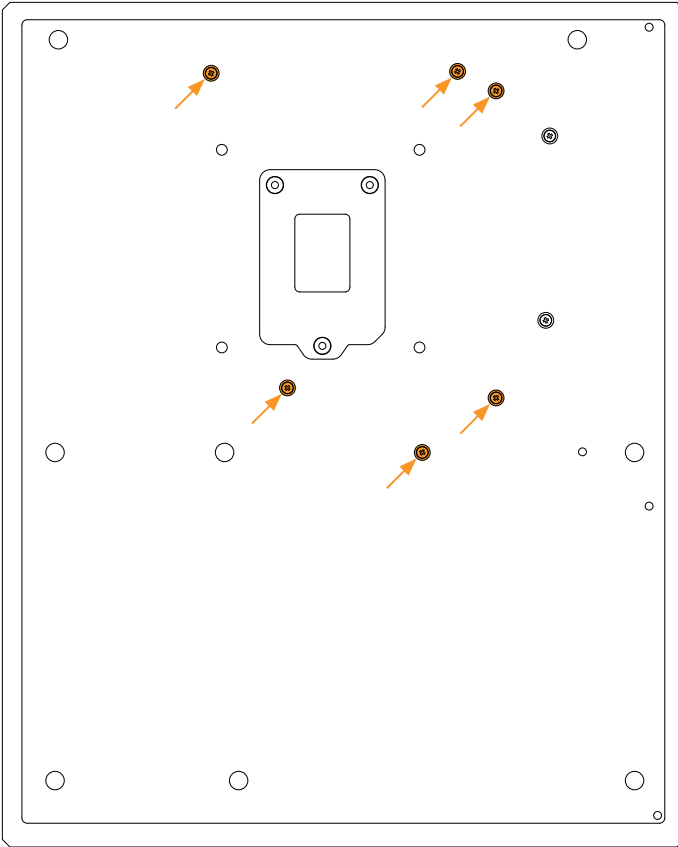
Unscrew the four (4) screws to remove the plastic I/O cover. This plastic cover can be reused once you've installed the water block.

For easier installation of the water block, we recommend you disconnect the LED connector first.

## REMOVING THE STOCK COOLER

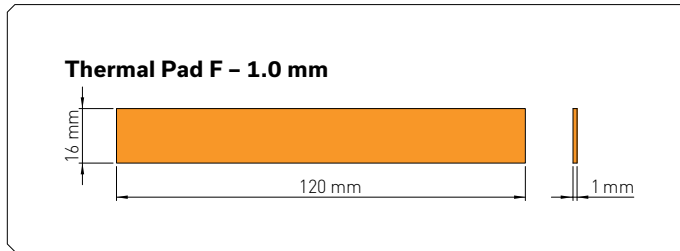
Remove all encircled screws and washers. There are six (6) screws on the back of the motherboard that need to be removed before you can take off the factory-installed MOSFET cooling solution.

After removing the screws, carefully detach the stock cooler and pre-applied thermal pads. EK provides replacement thermal pads with the water block (see Chapter: Cutting and Placing Thermal Pads).



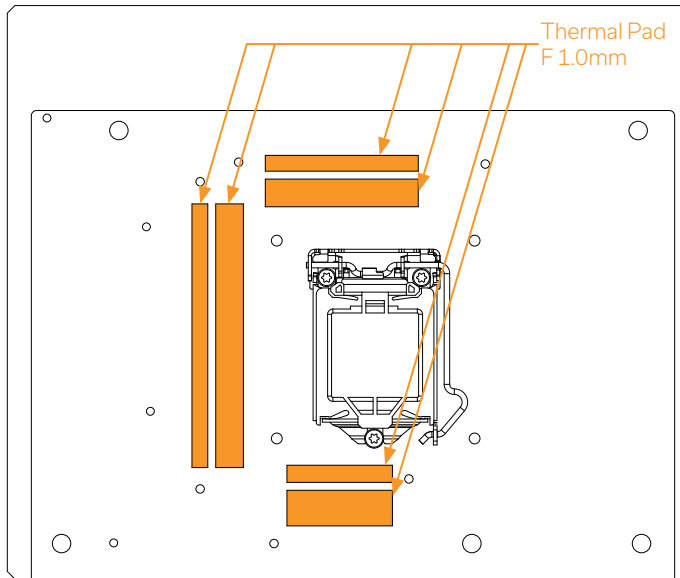
## CUTTING AND PLACING THERMAL PADS

Your monoblock comes with thermal pads that need to be trimmed to fit the voltage regulation area (MOSFET) on the motherboard's circuit board.



Place larger strips of thermal pads over the marked area and make sure all MOSFET and inductor chips are covered, as shown in the picture.

**CAUTION: Remove the protective foil from both sides of a thermal pad before installation.**



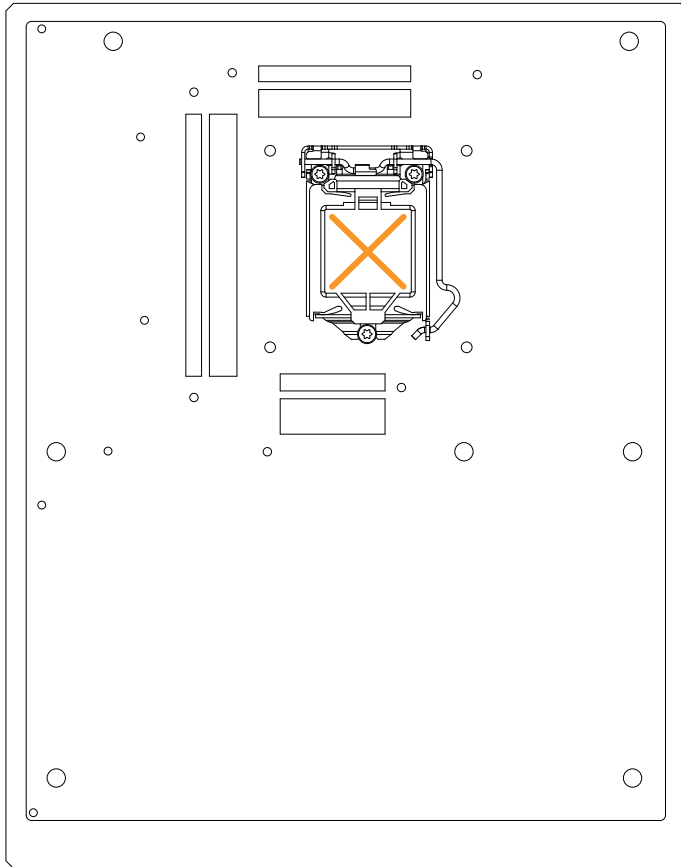
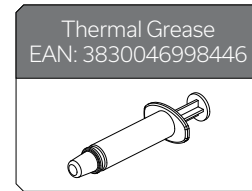


## APPLYING THERMAL COMPOUND

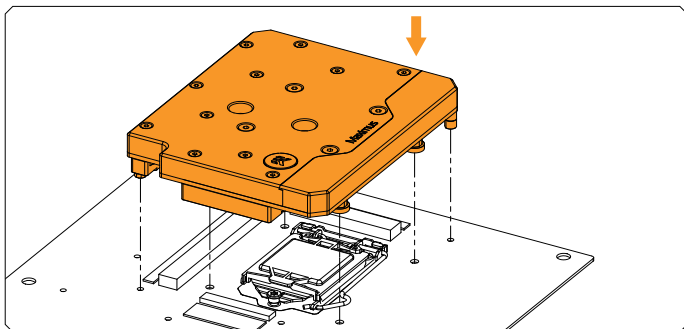
Apply the enclosed EK-TIM Ectotherm thermal grease (thermal compound) on the CPU heat spreader - IHS - as shown in the image. The layer of the thermal compound must be thin and even in thickness over the entire surface of the IHS.

**The excessive or uneven application of thermal grease may lead to poor performance!**

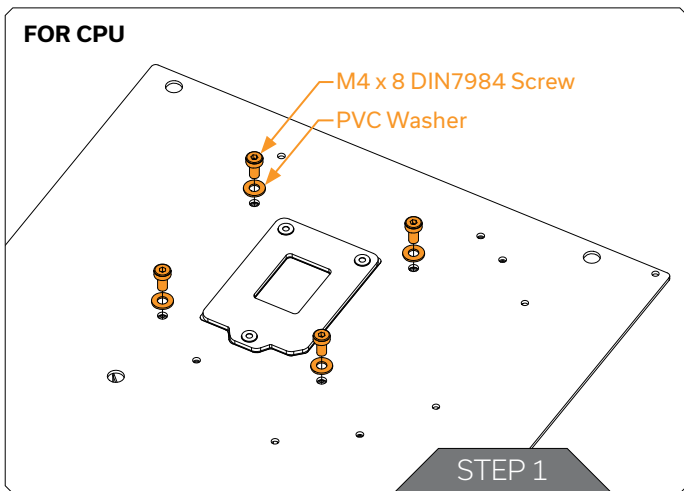
For this Step, you will need:



## PLACING THE BLOCK ON THE MOTHERBOARD



Carefully place your EK-Quantum Momentum ROG Maximus XII Hero water block on the motherboard or vice versa, as shown in the picture. Make sure the mounting holes are aligned.



## ATTACHING THE BLOCK TO THE MOTHERBOARD

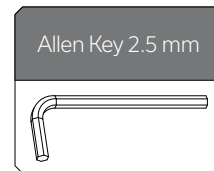
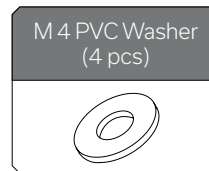
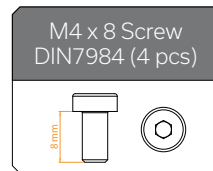
### STEP 1

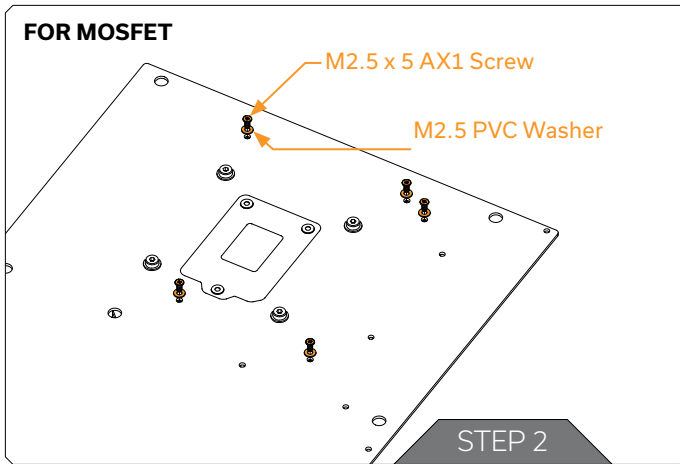
Before you fasten the screws, make sure the mounting holes on the motherboard's circuit board are aligned with the water block. When tightening the screws, do not use excessive force!

#### For the CPU:

Use four (4) M4 X 8 DIN7984 screws and M4 PVC washers. Tighten the screws evenly using the enclosed 2.5mm Allen Key.

For this Step, you will need:

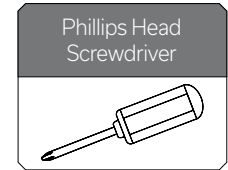
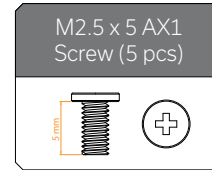




### For the Mosfet:

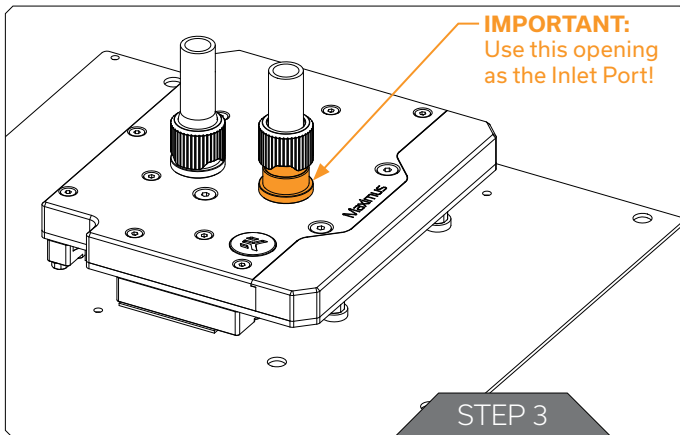
Use four (4) M2.5 x 5 AX1 screws with M2.5 PVC washers and tighten them evenly. The water block installation is now complete.

For this Step, you will need:



### STEP 2

Attach the I/O cover back on the motherboard. **Do not forget to plug in the I/O cover LED connector before securing the screws.**

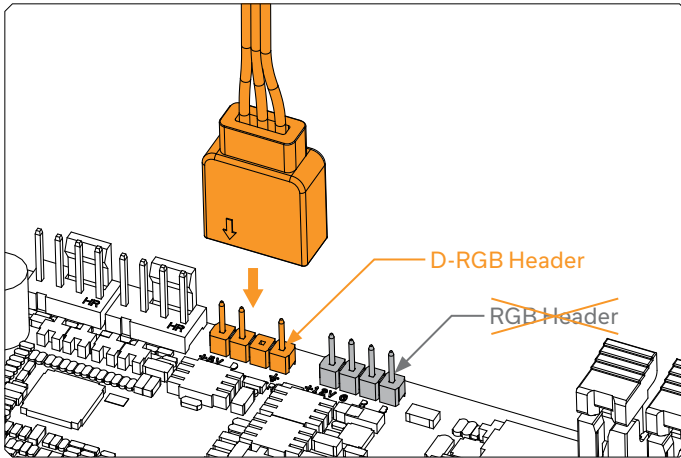


### STEP 3

For the EK-Quantum Momentum ROG Maximus XII Hero monoblock to operate properly, the G1/4 port nearest to the right edge of the water block **MUST BE USED AS THE INLET PORT.**

## CONNECTING THE D-RGB LED STRIP

Plug the 3-pin connector from the monoblock's D-RGB LED light to the D-RGB Header on the motherboard. The LEDs will work if the pin layout on the header is as follows: **+5V, Data, Empty, Ground**.



## TESTING THE LOOP

To make sure the installation of EK components was successful, we recommend you perform a 24-hour leak test.

When your loop is complete and filled with coolant, connect the pump to a PSU outside of your system. Do not connect power to any of the other components. Turn on the PSU and let the pump run continuously.

Inspect all parts of the loop, and in case the coolant leaks, fix the issue and repeat the testing process. To prevent possible damage, ensure that all hardware is dry before the system is powered on.


## SUPPORT AND SERVICE

In case you need assistance, please contact:


<http://support.ekwb.com/>

EKWB d.o.o.  
Pod lipami 18  
1218 Komenda  
Slovenia - EU


## SOCIAL MEDIA

 EKWaterBlocks

 @EKWaterBlocks

 ekwaterblocks

 EKWBofficial

 ekwaterblocks

