

EK-Quantum Velocity Upgrade Kit LGA1700



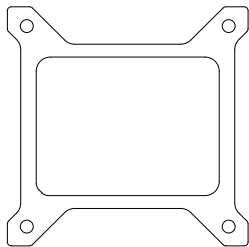
TABLE OF CONTENTS

| | |
|--|----------|
| PACKAGED CONTENTS | 3 |
| BACKPLATE DIMENSIONS | 3 |
| REMOVING THE MOTHERBOARD | 4 |
| ATTACHING THE BACKPLATE TO THE MOTHERBOARD | 4 |
| INSTALLING FOUR (4) M3 THUMB SCREWS ONTO YOUR MOTHERBOARD | 5 |
| INSTALLING THE WATER BLOCK | 5 |
| CONNECTING THE RGB LED STRIP (Optional) | 7 |
| CONNECTING THE RGB LED STRIP..... | 7 |
| CONNECTING THE D-RGB LED STRIP..... | 8 |
| SUPPORT AND SERVICE | 9 |
| SOCIAL MEDIA | 9 |

PACKAGED CONTENTS

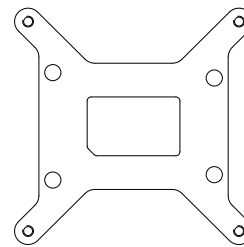
EAN: 3831109861691

103786



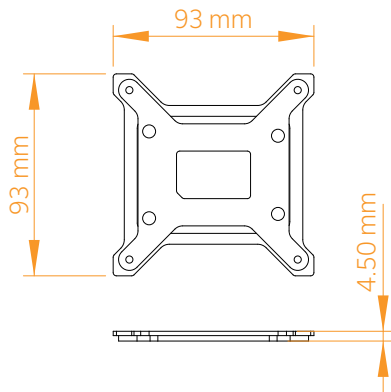
Gasket backplate CPU LGA 1700 (1pc)

103785



Metal backplate CPU LGA 1700 (1pc)

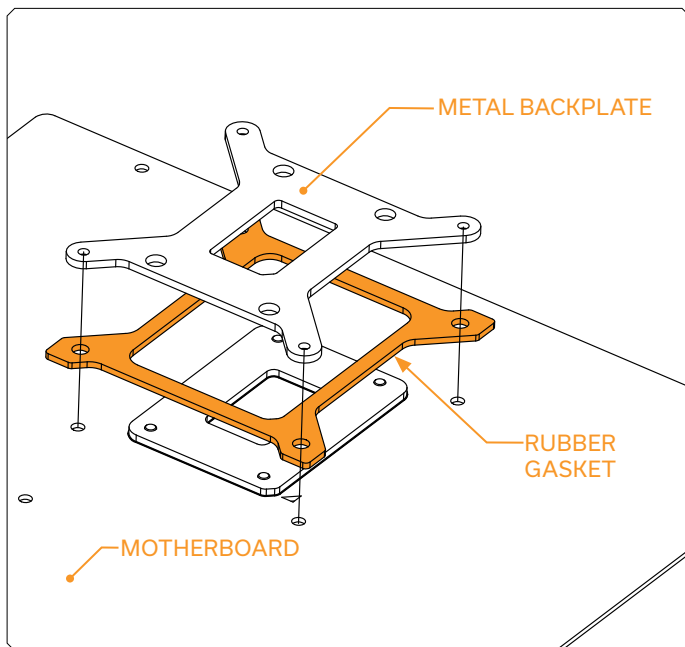
BACKPLATE DIMENSIONS



REMOVING THE MOTHERBOARD

If your PC case doesn't have a cutout from the bottom CPU side of the motherboard, you will first need to remove the motherboard from your computer and place it on an even surface with the front facing down.

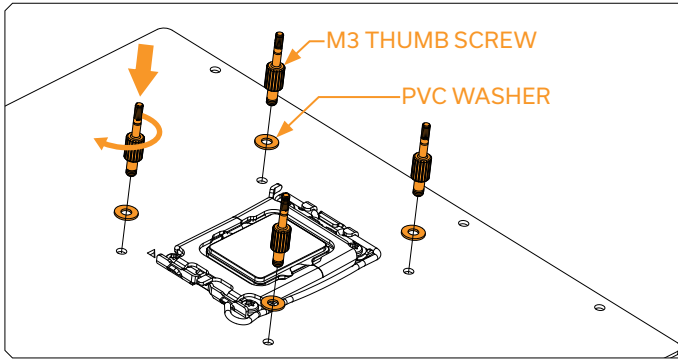
ATTACHING THE BACKPLATE TO THE MOTHERBOARD



Make sure to orientate the rubber gasket to fit past the CPU socket ILM backplate.

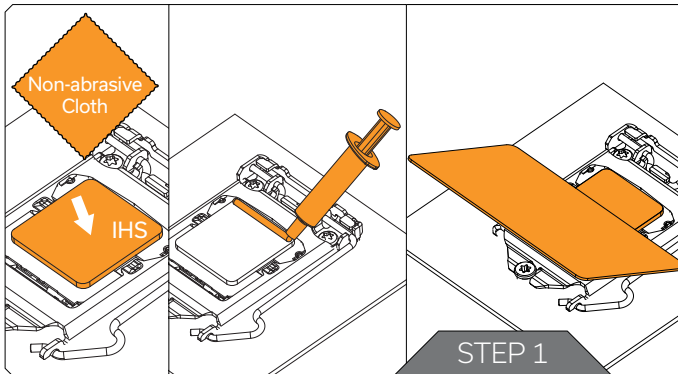
Carefully use one hand to rotate the motherboard assembly with the front side facing up while using the other hand to hold the backplate and rubber in place.

INSTALLING FOUR (4) M3 THUMB SCREWS ONTO YOUR MOTHERBOARD



It is mandatory to put a 0.7mm plastic washer underneath each of the M3 thumb screws. Tighten the screws to the metal backplate until you reach the end of the thread. **It is not recommended to use tools (such as pliers).**

INSTALLING THE WATER BLOCK



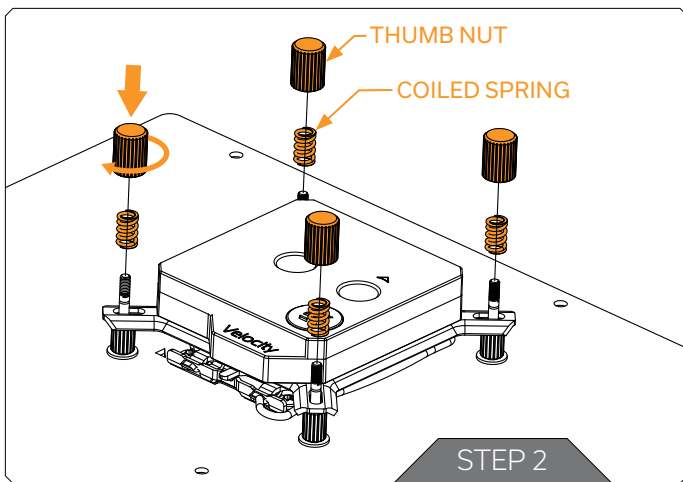
STEP 1

Cleaning the CPU: Wipe the CPU's contact surface (by using non-abrasive cloth or Q-tip, as shown on sample photo).

Applying thermal compound: On a clean IHS, apply a line of thermal compound and spread it over the whole CPU heat spreader (IHS) with a credit card or equivalent - see sample photo on left.



The layer of thermal compound must be thin and even in thickness across the whole surface of the IHS. Too thick of an application could lead to poor performance. This method applies to Thermal Grizzly Hydronaut thermal compound (3830046998477).



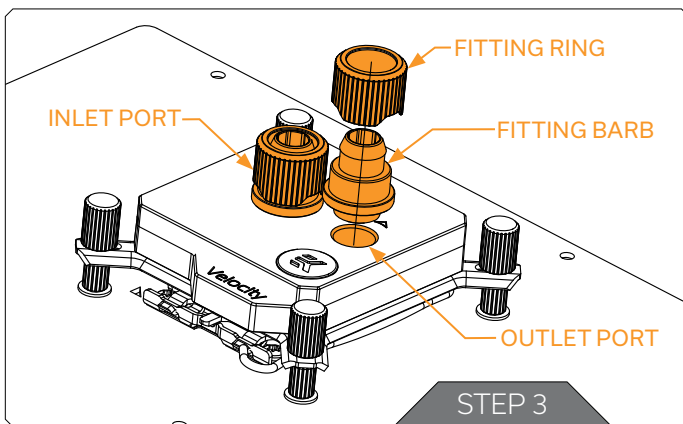
STEP 2

Align the water block over the mounting screws on the motherboard with the pre-installed CPU.



Before proceeding with the installation, it is mandatory to remove the protective foil from the backside of the water block.

Place an enclosed compression spring and thumb nut over each M3 thumb screw. Start fastening two thumb nuts at a time, preferably in a cross pattern and do not tighten them fully until all of them are partially screwed in. Then - using only your fingers - screw in all four thumb nuts until you reach the end of the thread.



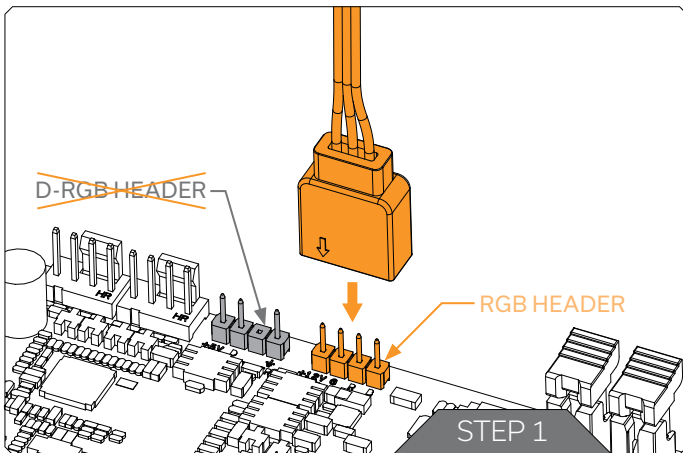
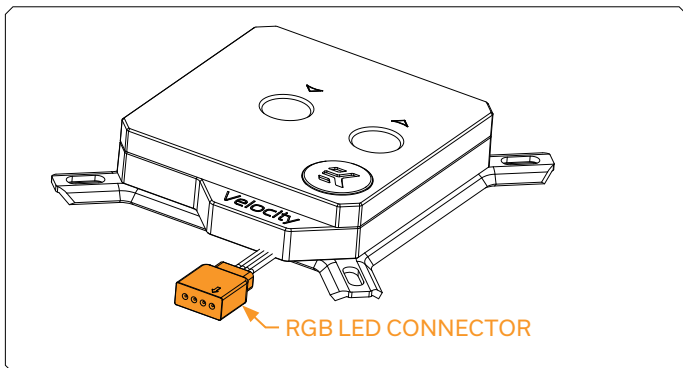
STEP 3

Tighten the fitting bars in a clockwise direction until the gasket underneath is compressed.

The installation of the CPU water block is now complete.

With EK-Velocity series water blocks, it is mandatory to use the port that is nearest to the center of the water block as the INLET port. Mixing the ports may result in less than ideal thermal performance of the water block.

CONNECTING THE RGB LED STRIP (Optional)



CONNECTING THE RGB LED STRIP

STEP 1

Plug the 4-pin connector from the water block and fan's RGB LED light to the RGB HEADER on the motherboard. The LED will work if the pin layout on the header is as follows: **+12V G R B**.



Please ensure that the arrow indicated on the connector is plugged into the +12V line as indicated on your motherboard.

Failure to do so will damage your motherboard or LED strip.

CONNECTING THE D-RGB LED STRIP

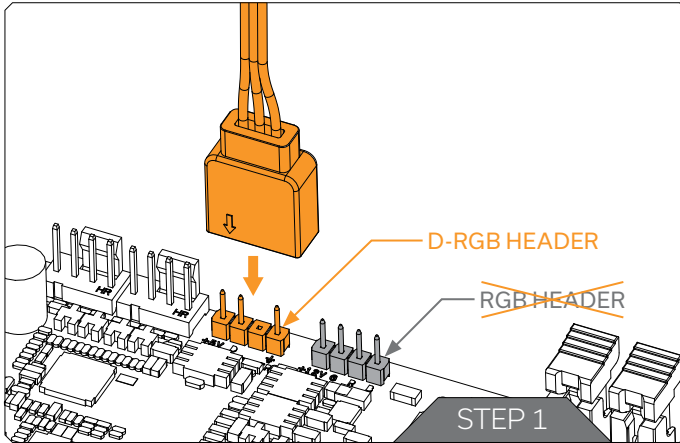
STEP 1

Plug the 4-pin connector from the water block's D-RGB LED light to the DRGB HEADER on the motherboard. The LED will work if the pin layout on the header is as follows: **+5V, Digital, empty, Ground**.



Please ensure that the arrow indicated on the connector is plugged into the +5V line as indicated on your motherboard. If you put LED Diode to the 12V RGB HEADER you can damage the LEDs.

Failure to do so will damage your motherboard or LED strip.




SUPPORT AND SERVICE

In case you need assistance or wish to order spare parts or a new mounting mechanism, please contact:


<https://www.ekwb.com/customer-support/>

EKWB d.o.o.
Pod lipami 18
1218 Komenda
Slovenia - EU


SOCIAL MEDIA

 EKWaterBlocks

 @EKWaterBlocks

 ekwaterblocks

 EKWBofficial

 ekwaterblocks

